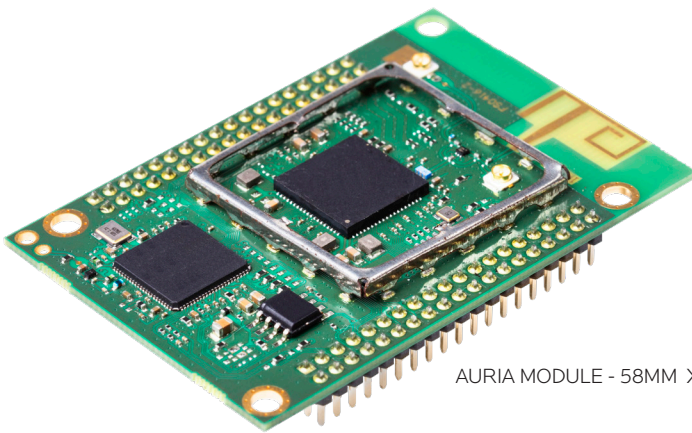




APPLICATIONS

- Wireless speakers
- Music systems
- SmartRadios
- Internet radios
- Soundbars



AURIA MODULE - 58MM X 39 MM

CONNECTIVITY

- Dual-core ARM A32 @ 1.2Ghz
- Integrated RAM and Flash memory
- Bluetooth Low Energy (LE) audio
- Wi-Fi 6 (802.11ax) dual band
- I2S digital audio output
- DAC/ADC for analogue audio I/O
- DAB/FM
- MIPI / SPI display interface
- I/O - I2C, SPI, UART, IR GPIO, GPADC
- Onboard Wi-Fi Bluetooth printed PIFA antenna

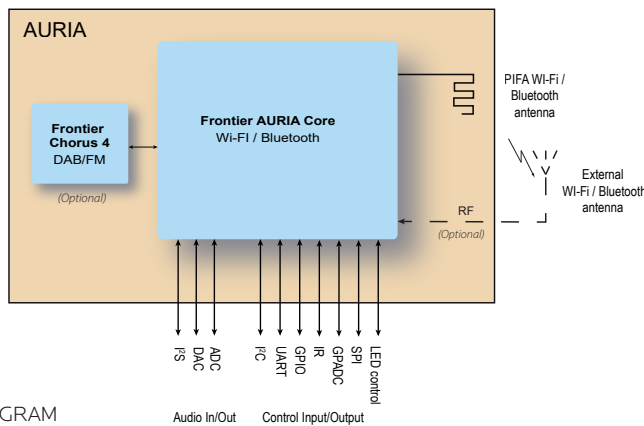
OVERVIEW

Frontier AURIA is a cutting-edge audio module designed to power the next generation of Bluetooth and Wi-Fi audio products. With a focus on delivering the highest quality Hi-Res audio, Bluetooth audio synchronisation across multiple speakers, low power consumption, portability and high security/privacy. AURIA has been designed and engineered to allow brands to create a whole new portfolio of products to compete in established markets and to enter new and emerging audio markets.

AURIA offers simple and straightforward integration into various audio products. The turnkey module, customisable SDK, rich I/O, comprehensive documentation and local technical support provided by our team allow for new products to be quickly brought to market with minimal development cost.

FEATURES

- Bluetooth LE Audio LC3 codec.
- Support for Auracast, highly dependable audio sync for multiple devices
- One touch party mode / stereo pair support
- Hi-Res audio support ALAC, FLAC @ 24bit 192 kHz
- OKTIV iOS/Android app control
- Built-in audio DSP
- Spotify Connect
- AirPlay compliance
- Podcast and listen again audio
- Live Streaming Internet Radio
- Battery management for extended battery life
- Pre-set favourite button support
- Customisable EQ
- RoHS compliant



AURIA BLOCK DIAGRAM

AURIA FS2345

Bluetooth Low-Energy Audio and Wi-Fi Connected Module

NEXT GENERATION BLUETOOTH CONNECTIVITY

AURIA supports the latest Bluetooth technology with Bluetooth Low Energy (LE) Audio. Users experience higher quality audio streaming and reduced power requirements, leading to longer battery life.

Bluetooth Auracast enables AURIA to synchronise broadcast audio to multiple receivers at the same time. Perfect for creating a wireless multi-speaker setup, for parties, listening to audio on Bluetooth headphones or broadcasting audio in public spaces. The audio can stream from a range of sources, from your smart devices or directly via Wi-Fi from the internet, all controlled from your smart device.

Left and right AURIA speakers can wirelessly connect to form a stereo pair configured directly from the devices or via an external mobile phone. A simple wireless stereo solution in a home audio setup or connecting soundbars to speakers.



WIDE RANGE OF CONNECTIVITY OPTIONS

LOW POWER CONSUMPTION

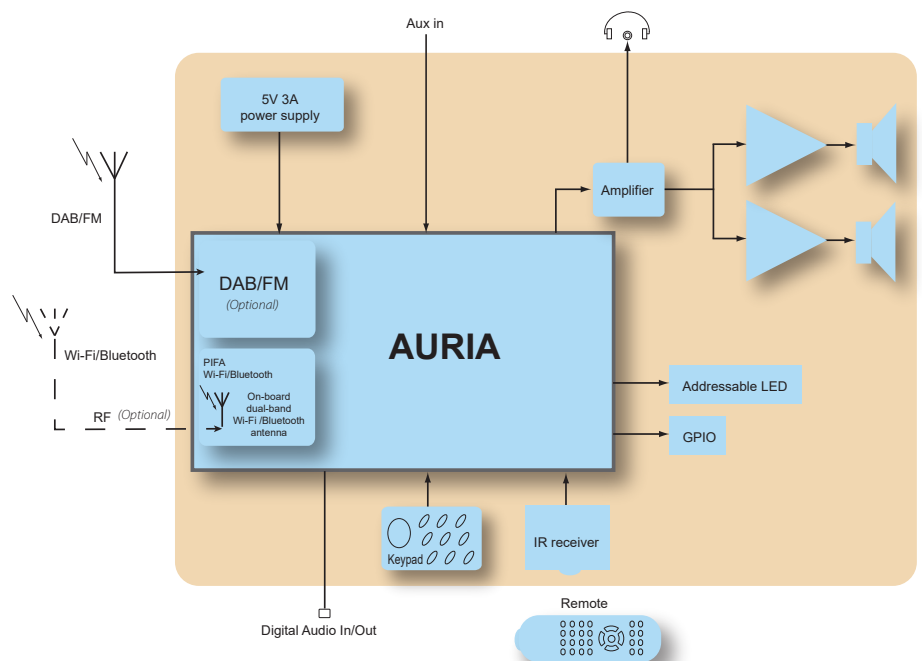
We recognize the importance of energy efficiency, especially in battery-powered devices. Our modules are optimized for low power consumption without compromising on audio quality, ensuring longer battery life for portable audio products.

ONE-TOUCH PLAY PRE-SETS

Offer simple audio experiences by allowing songs, podcasts, live streams, playlists to be played or shared to other speakers with a single touch of a button. Wi-Fi means that a mobile device is not required to stream audio from.

SECURITY AND PRIVACY

Designed with security and privacy in mind and to be fully compliant with UK / EU cyber security laws coming into force.



AURIA APPLICATION BLOCK DIAGRAM

